

TECHNICAL DATA SHEET

BIBO SINGLE SWING SET

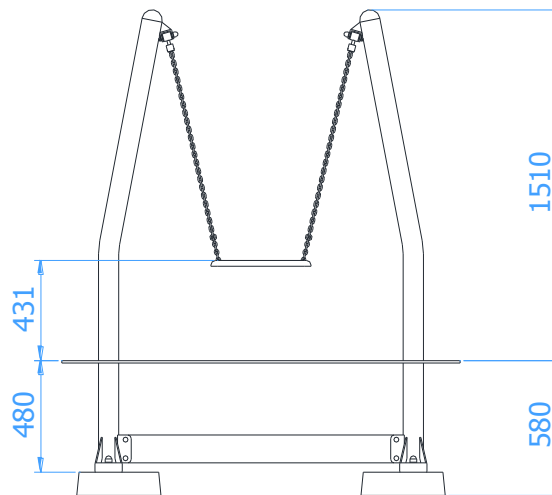
Catalogue number: 2245

It shall apply from: 20.05.2019

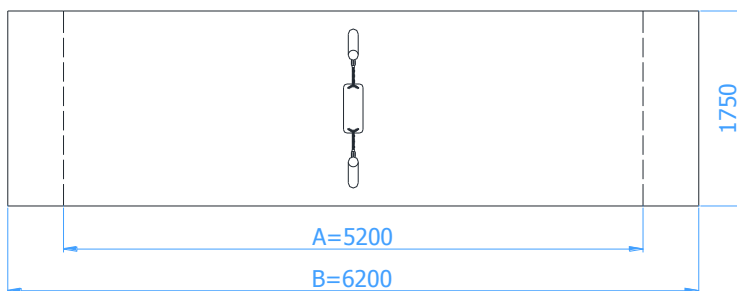
User's age:	3 - 14 lat
Max. free fall height:	0,91 m
Product Dimensions: (length x width x height)	1,41 x 0,18 x 1,51 m
Impact area: (length x width)	6,20 x 1,75 m Synthetic surface: 5,20 x 1,75 m



Product dimensions



Impact area dimensions



Permissible impact attenuating surface

- Bark – grain size 20 to 80mm, min. depth 200
- Woodchip – grain size 5 to 30 mm, min. depth 200mm
- Sand or gravel – grain size 0,25 to 8 mm, min. depth 200 mm
- Synthetic surfaces in accordance with tested HIC (EN 1177)

*The impact attenuating surfacing shall be installed on the whole of impact area.
A loose-fill safety surface shall be 100mm thicker than min. depth indicated above.*

A – for synthetic surface

B – for sandy surface

TECHNICAL DATA SHEET

Technical description

- The construction made of steel pipe: $\varnothing 88,9 \times 3,2$ mm and steel profile: 120x40x3mm,
- The chains $\varnothing 5$ mm made of stainless steel ,
- The device available in two variants: 2245 with Flat Seat and 2245A with Baby Seat,
- All steel elements are hot dip galvanized and painted with a structural, acrylic lacquer
- The set includes foundations made of concrete class C25/30
- In case of applying a synthetic surface that is on the same level that the surrounding surface, 0.5 m of obstacle-free space should be taken into account in both directions of movement of the swing.

Product visualization

